

Europe

FRANCE - EUROPE

SNR Paris 40, rue Jean Bleuzen
B.P. 49
92174 Vanves Cedex
Tél. 01 40 93 66 00
Fax. 01 40 93 66 10

SNR Logistique 9, avenue Léon Harmel
92160 Antony
Tél. 01 46 11 66 50
Fax. 01 46 11 66 66

SNR Bordeaux 1, rue du Golf - B.P. 173
33708 Merignac Cedex
Tél. 05 56 34 69 80
Fax. 05 56 34 69 81

SNR Lyon Europe* Le Florentin - 71, chemin
du Moulin Carron - B.P. 8
69570 Dardilly
Tél. 04 78 66 68 00
Fax. 04 78 66 68 20

SNR Nancy Europe* 3, allée Forêt de la Reine
Parc technologique Brabois
54500 Vandœuvre
Tél. 03 83 44 64 00
Fax. 03 83 44 02 31

DEUTSCHLAND

SNR WÄLZLAGER GMBH www.snr.de
40472 Düsseldorf Wahlerstraße 6
40437 Düsseldorf
Postfach 33 04 10
Tél. (0211) 6 58 06-0
Fax. (0211) 6 58 88 86

33719 Bielefeld Friedrich-Hagemann-Str.66
33701 Bielefeld
Postfach 17 01 45
Tél. (0521) 9 24 00-0
Fax. (0521) 9 24 00 90

70597 Stuttgart Tränkestraße 7
70574 Stuttgart
Postfach 70 04 16
Tél. (0711) 9 00 64-0
Fax. (0711) 9 00 64 99

ITALIA

SNR Italia
Milano Via Keplero, 5
20019 Settimo
Milanese (MI)
Tél. (02) 33 55 21
Fax (02) 33 50 06 56

Bologna Via E.Zago, 2/2
40128 Bologna
Tél. (051) 36 79 46
(051) 36 29 78
Fax (051) 36 85 38

ESPAÑA - PORTUGAL

SNR Rodamientos Ibérica S.A.
Madrid C/ Llanos de Jerez, 22
Polígono Industrial
28820 Coslada
Tél. 91 671 89 13
Fax. 91 673 65 48

*EUROPE (Subsidiaries excepted)
SNR Nancy - Europe : Benelux - Suisse - Autriche - U.K.
SNR Lyon - Europe : Other Countries Fax. 04 78 66 68 21

Amériques / Americas

USA

SNR Bearings USA www.snrbearings.com
Atlanta 4600 K Highlands Pkwy
Smyrna, G.A. 30082
Tél. (770) 435-2818
(800) 232-1717
Fax. (800) 742-5215

SNR Intermondial (Overseas)

Anncy 18, rue du Val-Vert
74600 Seynod
France
Tél. (33) 4 50 65 96 00/01/02
Fax. (33) 4 50 65 96 15

AMERICA LATINA

SNR Argentina
Buenos Aires Viamonte 1145 - Piso 11
1053 Buenos Aires
Tél. (54) 11-4 372-1272
Fax. (54) 11-4 372-0088

MAROC

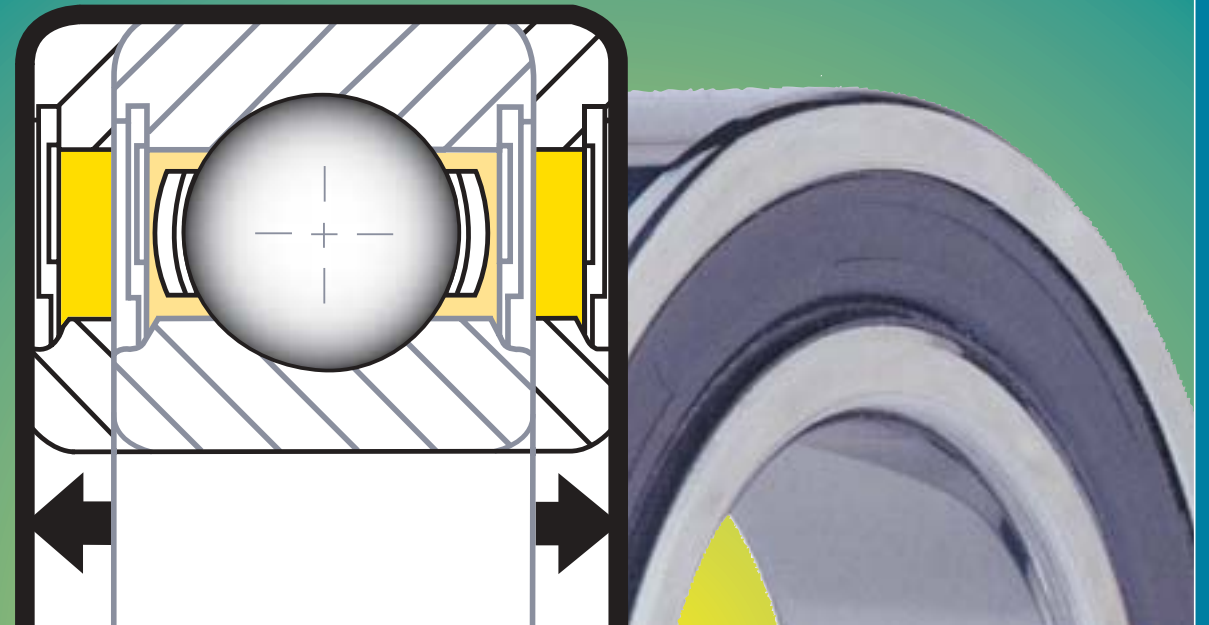
SNR Maroc
Casablanca 17, rue Buzancy
Belvédère
Casablanca 20300
e-mail : info@snr.ma
Tél. (212) 02 2 241 530
Fax. (212) 02 2 241 532
(212) 02 2 241 542



Siège social : Rue des Usines - 74000 Anncy - FRANCE

RCS Anncy B 325821072 - Code NAF 291H

<http://www.snr.fr>

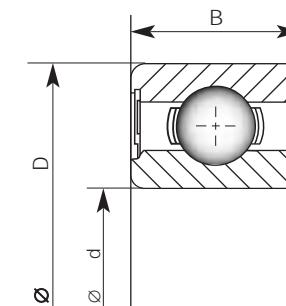


SNR increased width series
62200 EE - 62300 EE - 63000 EE

TF 10 GB/USAC © SNR 2003 - This document is not contractual



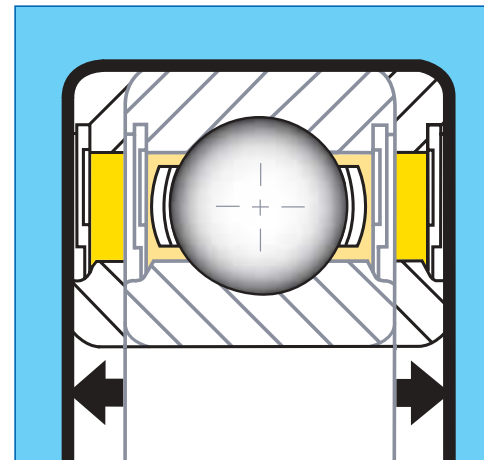
SNR - Industry



List of bearings

Increased width bearings

- Single row radial contact ball bearings
- Riveted pressed steel cage
- Contact lip rubber seal
- Dimensions
 - 62200 - 62300
 - extended rings, width series No.2
 - same bore and outside diameters as :
 - 62.. series for the 622.. series
 - 63.. series for the 623.. series
 - 63000
 - extended rings, width series No.3
 - same bore and outside diameters as 60.. series.



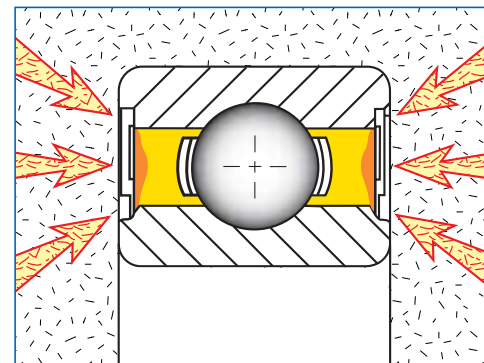
Increased service life

- Improved protection against pollution.
- Longer-lasting lubrication.

The 622.., 623.. and 63... series have, on average, 50 to 70% more grease than the corresponding 62.., 63.. and 60.. series.

This larger volume of lubricant creates a grease buffer on the seal internal face, thus establishing an additional barrier which increases the seal efficiency against foreign pollution.

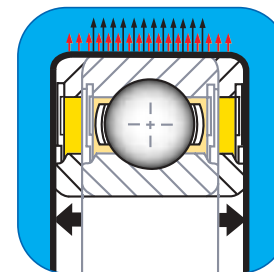
Therefore the service life of these bearings is increased.



Increased bearing seat surface in the housing

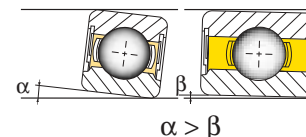
For the 622.., 623.. and 63... series, the bearing seat surface in the housing is, on average, 30% greater than the corresponding one of the 62.., 63.. and 60.. series.

As a result, material stresses are reduced under the same load.



Better alignment during the fitting process

The extended width facilitates the guiding during the fitting process, particularly when soft material housings are used (aluminum, composite, plastic...).



Part Numbers	Dimensions				Width deviation compared to 62..,63.. and 60.. series		Basic load ratings				Limiting speeds	Weight			
	d (mm)	d (inch)	D (mm)	D (inch)	B (mm)	B (inch)	C (x1000 N)	C (lbf)	C ₀ (x1000 N)	C ₀ (lbf)	Rpm	Kg	lbs		
62200 EE	10	0,3937	30	1,1811	14	0,5512	3	0,1181	6,00	1 350	2,65	600	15 000	0,048	0,106
62201 EE	12	0,4724	32	1,2598	14	0,5512	4	0,1575	6,90	1 550	3,10	700	14 000	0,049	0,108
62202 EE	15	0,5906	35	1,3780	14	0,5512	3	0,1181	7,70	1 730	3,75	840	12 000	0,053	0,117
62203 EE	17	0,6693	40	1,5748	16	0,6299	4	0,1575	9,50	2 140	4,75	1 070	11 000	0,082	0,181
62204 EE	20	0,7874	47	1,8504	18	0,7087	4	0,1575	12,80	2 880	6,60	1 490	9 500	0,131	0,289
62205 EE	25	0,9843	52	2,0472	18	0,7087	3	0,1181	14,00	3 150	7,90	1 780	8 300	0,148	0,326
62206 EE	30	1,1811	62	2,4409	20	0,7874	4	0,1575	19,50	4 390	11,30	2 540	7 000	0,236	0,520
62207 EE	35	1,3780	72	2,8346	23	0,9055	6	0,2362	25,50	5 740	15,30	3 440	6 000	0,375	0,827
62208 EE	40	1,5748	80	3,1496	23	0,9055	5	0,1969	29,00	6 530	17,90	4 030	5 300	0,460	1,01
62209 EE	45	1,7717	85	3,3465	23	0,9055	4	0,1575	32,50	7 310	20,50	4 610	4 900	0,481	1,06
62210 EE	50	1,9685	90	3,5433	23	0,9055	3	0,1181	35,00	7 880	23,20	5 220	4 600	0,514	1,13
62300 EE	10	0,3937	35	1,3780	17	0,6693	6	0,2362	8,10	1 820	3,45	780	13 000	0,079	0,174
62301 EE	12	0,4724	37	1,4567	17	0,6693	5	0,1969	9,70	2 180	4,20	950	12 000	0,082	0,181
62302 EE	15	0,5906	42	1,6535	17	0,6693	4	0,1575	11,30	2 540	5,40	1 220	11 000	0,108	0,238
62303 EE	17	0,6693	47	1,8504	19	0,7480	5	0,1969	13,60	3 060	6,60	1 490	9 400	0,146	0,322
62304 EE	20	0,7874	52	2,0472	21	0,8268	6	0,2362	15,90	3 580	7,90	1 780	8 600	0,197	0,434
62305 EE	25	0,9843	62	2,4409	24	0,9449	7	0,2756	23,60	5 310	12,10	2 720	7 100	0,317	0,699
62306 EE	30	1,1811	72	2,8346	27	1,0630	8	0,3150	28,00	6 300	15,80	3 560	6 000	0,473	1,04
62307 EE	35	1,3780	80	3,1496	31	1,2205	10	0,3937	33,50	7 540	19,20	4 320	5 300	0,658	1,45
62308 EE	40	1,5748	90	3,5433	33	1,2992	10	0,3937	40,50	9 110	23,90	5 380	4 800	0,874	19,3
63000 EE / EE J30	10	0,3937	26	1,0236	12	0,4724	4	0,1575	4,60	1 040	1,97	440	18 000	0,028	0,062
63001 EE / EE J30	12	0,4724	28	1,1024	12	0,4724	4	0,1575	5,10	1 150	2,37	530	16 000	0,029	0,064
63002 EE / EE J30	15	0,5906	32	1,2598	13	0,5118	4	0,1575	5,60	1 260	2,85	640	14 000	0,044	0,097
63003 EE / EE J30	17	0,6693	35	1,3780	14	0,5512	4	0,1575	6,00	1 350	3,25	730	12 000	0,055	0,121
63004 EE / EE J30	20	0,7874	42	1,6535	16	0,6299	4	0,1575	9,40	2 120	5,00	1 130	10 000	0,082	0,181
63005 EE / EE J30	25	0,9843	47	1,8504	16	0,6299	4	0,1575	10,10	2 270	5,80	1 310	9 300	0,105	0,232
63006 EE / EE J30	30	1,1811	55	2,1654	19	0,7480	6	0,2362	13,20	2 970	8,30	1 870	7 800	0,166	0,366
63007 EE / EE J30	35	1,3780	62	2,4409	20	0,7874	6	0,2362	16,00	3 600	10,30	2 320	6 800	0,214	0,472
63008 EE / EE J30	40	1,5748	68	2,6772	21	0,8268	6	0,2362	16,80	3 780	11,50	2 590	6 200	0,262	0,578